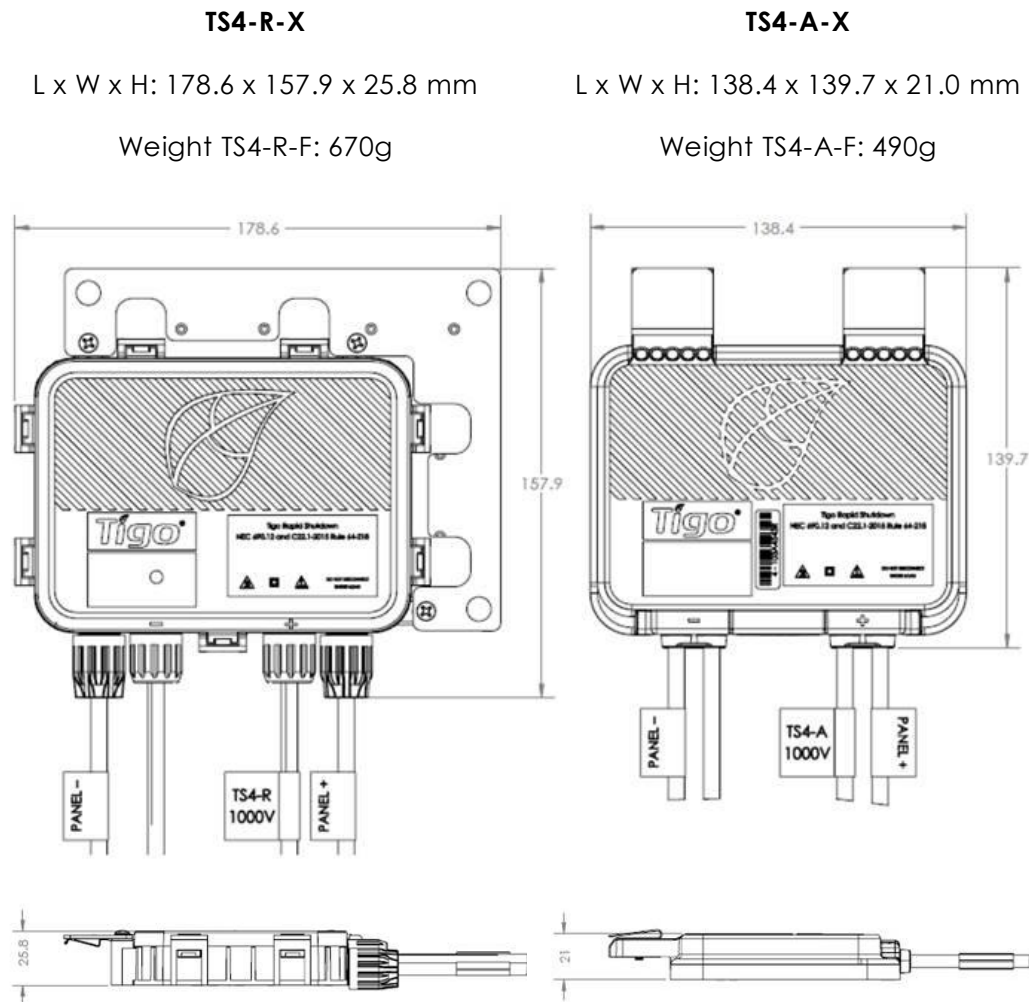


## TS4-A-X vs. TS4-R-X

Tigo is about to officially launch it's new and improved add-on/retrofit products; the TS4-A-X line.

TS4-A-X major improvements compared with TS4-R-X, the current shipping generation, are mechanical. The benefits resulting of those improvements are listed below.

1. Smaller size:

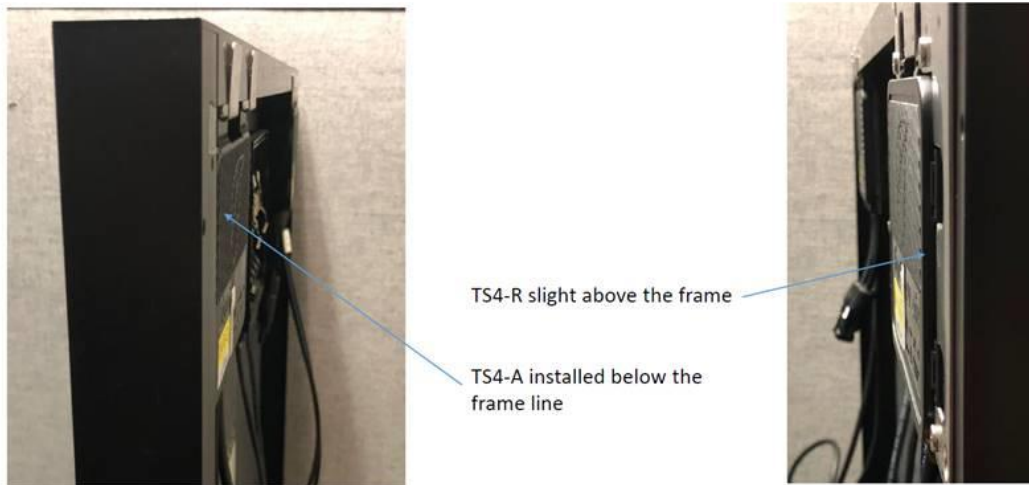


2. Improved Installation experience:

- a. Only 1 (one) side to be mounted on the panel frame instead of 2 (two) sides.
- b. Greater flexibility in selecting TS4 location.



- c. Easier to adapt to various racking systems.
- 3. Total recess after mounting (see picture):
  - a. Easier to adapt to various racking systems.
  - b. Enables shipments of PV modules pre-assembled with TS4-A-X



- 4. Reduction in shipping costs: TS4-R-X 480 units per pallet vs. TS4-A-X 720 units per pallet.

What's the same?

- 1. Electrical specifications
- 2. Functionalities
- 3. Cable length, connectors
- 4. Outdoor rating (IP68, NEMA3R)
- 5. Compliance with PV modules and inverters (+40 inverter types, +2,000 module types)
- 6. Compliance (UL, TUV, RSS)

TS4-A-O and TS4-A-F estimated delivery by Q3'2019.

For further questions contact [sales@tigoenergy.com](mailto:sales@tigoenergy.com)